



ViO35-7

TRUE ZERO TAIL SWING MINI EXCAVATOR



Power-Packed Versatility: Your Go-To Machine.

The 24.4-horsepower Yanmar ViO35-7 mini excavator is powered by a Tier 4 Final Yanmar engine. The 3.5-ton-class machine is a flexible and robust workhorse with high power for its 7,882-pound size, making it easy, reliable and efficient to operate in applications such as construction, rental, utility, landscaping and more. Operators accomplish more with increased productivity from the ViO35-7's three-pump system which provides greater performance over one-pump excavators. The robust machine is built with the operator top of mind, featuring leading 360-degree visibility, ample foot space, comfortable seat and ergonomic controls. The ViO35-7 is backed by a 4-year/4,000-hour warranty – nearly double the traditional mini excavator warranty.

QUICK SPECS

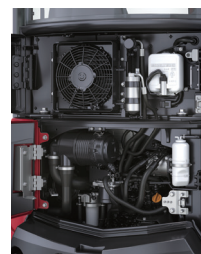
Weight	Horsepower	Max Dig Depth
7,882 lbs	24.4 hp	11'3"

INNOVATIVE FEATURES



Configurable to Match Your Work

Tailor the ViO35-7 to your application with numerous configuration options. Choose between canopy and cab and between rubber and steel tracks. Also, improve versatility with an optional new second auxiliary circuit. Additionally, straight and angle blade options further expand customization options.



Built for Tough Jobs

Like other Yanmar mini excavators, Yanmar designed the ViO35-7 with a robust build and guarding in every possible location. That includes a highly durable undercarriage, cylinder guards, hose guards, strategic placement of the boom light and more.



Convenience-Boosting Technology

New machine owners benefit from five years of free Yanmar SmartAssist Remote telematics. Features include error detection, real-time location and operational status updates, daily work reports and more. The ViO35-7's advanced 4.3-inch color display adds convenience and usability, putting a variety of options and information at your fingertips.

Specifications

Model		ViO35-7	
Type		Canopy	Cabin
Operating Weight	lbs (t)	7,540 (3.37)	7,882 (3.58)
Engine	Type	Vertical 3-cylinder water-cooled direct injection diesel engine	
	Model	3TNV88F-ESBV4	
	Rated Output	HP (kW)/rpm	24.4 (18.2) / 2,200
Performance	Max Digging Force, Bucket / Arm	lbs (kN)	5,485 lbs (24.4 kN) / 4,159 lbs (18.5 kN)
	Traveling Speed, High / Low	MPH (km / h)	3.0 (4.8) / 1.8 (2.9)
	Swing Speed	RPM	9.4
	Boom Swing Angle, (L / R)	degrees	71 / 52
Ground Contact Pressure (Rubber Track)		PSI (kPa)	4.44 (30.6) / 4.64 (32.0)
Hydraulic System	Pump Capacity	GPM (L / min)	9.9 (37.4) × 2 <Variable displacement pump> 7.1 (26.8) × 1, 2.6 (9.9) × 1 <Gear pump>
	Main Relief Set Pressure	PSI (MPa)	3,205 (22.1) x 2,988 (20.6) x 1
Blade Dimensions	Width	ft-in (mm)	5' 8" (1,740)
	Stroke, Raise / Lower from G.L.	ft-in (mm)	1' 5" (425) / 1' 3" (370)
Fuel Tank Capacity		Gals (L)	11.6 (44)

Standard Equipment

- Hydraulic Quick Coupler
- Backfill Dozer Blade
- Boom Swing Function
- Rubber Tracks
- Auxiliary Hydraulics
- Back Mirror
- Pattern Change Valve
- ROPS / FOPS Canopy, Cabin
- Windshield Washer
- Joystick Pilot Controls
- Adjustable Arm Rests
- Suspension and Reclining Seat
- Seat Belt
- Proportional Auxiliary Hydraulics Control
- Two Speed Travel with Auto Shift
- Auto Deceleration Function
- Eco Mode
- Engine Stop Switch
- Traveling Alarm
- Floor Mats
- Continuous AUX Flow Function
- 1-way/2-way Flow Selector Valve
- 4.3" Color Display
- Maintenance Tracker
- Service Error Log with Readouts
- Cylinder Guards
- Work Lights
- Foldable Travel Pedals
- USB and 12V Power Outlets
- Cup Holder
- Passcode Function
- AUX Flow Rate Control
- Custom Tool Settings

Please note that the standard equipment may vary from this list. Consult your Yanmar dealer for confirmation.

Auxiliary Hydraulics

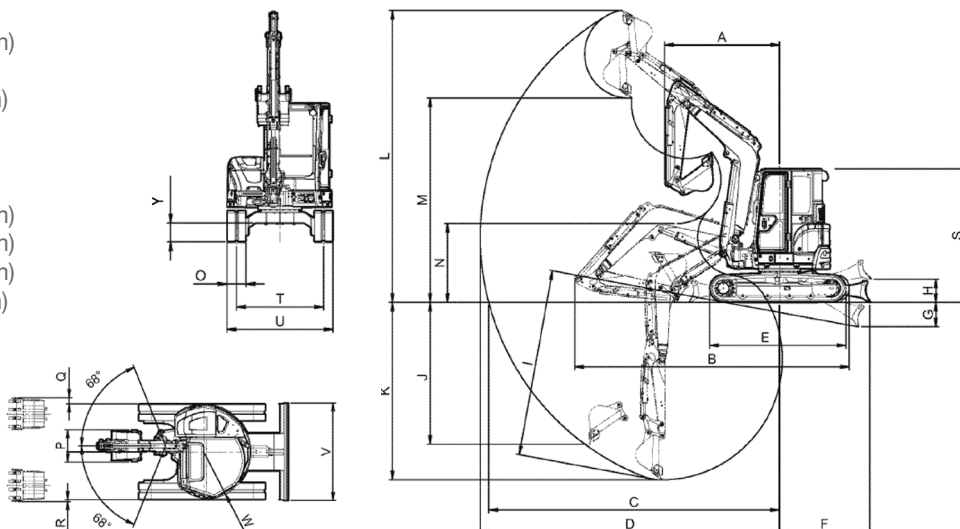
Model		ViO35-7	
Specification	Output	Relief Pressure PSI (MPa)	Flow Rate GPM (L/min)
			AUX1
Combined Flow, Double Acting		711 (4.9) – 3,988 (27.5) Adjustable	17.0 (64.2) 9.9 (37.4)

Lifting Capacity

LIFT POINT HEIGHT h:in (mm)	r:REACH in (mm)											
	RATED LIFT CAPACITY OVER END BLADE DOWN				RATED LIFT CAPACITY OVER END BLADE UP				RATED LIFT CAPACITY OVER SIDE BLADE UP			
	MAX	137.8 (3,500)	118.1 (3,000)	98.5 (2,500)	MAX	137.8 (3,500)	118.1 (3,000)	98.5 (2,500)	MAX	137.8 (3,500)	118.1 (3,000)	98.5 (2,500)
118.1 (3,000)	1,675 (760)	1,609 (730)	1,653 (750)	98.5 (2,500)	1,212 (550)	1,609 (730)	1,653 (750)	98.5 (2,500)	1,058 (480)	1,345 (610)	1,565 (710)	98.5 (2,500)
78.7 (2,000)	1,719 (780)	1,896 (860)	2,072 (940)	2,447 (1,110)	1,014 (460)	1,477 (670)	2,072 (940)	2,447 (1,110)	882 (400)	1,279 (580)	1,543 (700)	2,227 (1,010)
39.4 (1,000)	1,830 (830)	2,336 (1,060)	2,844 (1,290)	3,726 (1,690)	948 (430)	1,389 (630)	1,742 (790)	2,271 (1,030)	838 (380)	1,234 (560)	1,410 (640)	1,962 (890)
Ground (0)	1,918 (870)	2,535 (1,150)	3,153 (1,430)	3,968 (1,800)	970 (440)	1,323 (600)	1,653 (750)	2,116 (960)	860 (390)	1,168 (530)	1,322 (600)	1,786 (810)
-39.4 (-1,000)	2,006 (910)	2,601 (1,080)	2,932 (1,330)	3,615 (1,640)	992 (510)	1,301 (590)	1,609 (730)	2,072 (940)	992 (450)	1,124 (510)	1,322 (600)	1,764 (800)
-59.1 (-1,500)	2,006 (910)		2,579 (1,170)	3,153 (1,430)	1,168 (610)		1,609 (730)	2,072 (940)	1,168 (530)		1,344 (610)	1,808 (820)
-78.7 (-2,000)	1,940 (880)			2,403 (1,090)	1,543 (760)			2,403 (1,090)	1,543 (700)			1,852 (840)

Dimensions - ViO35-7

- A** 7 ft. 3 in. (2,210 mm)
- B** 15 ft. 5 in. (4,720 mm)
- C** 17 ft. 4 in. (5,300 mm)
- D** 17 ft. 9 in. (5,430 mm)
- E** 7 ft. 1 in. (2,160 mm)
- F** 5 ft. 5 in. (1,680 mm)
- G** 1 ft. 2 in. (370 mm)
- H** 1 ft. 4 in. (425 mm)
- I** 11 ft. 3 in. (3,430 mm)
- J** 8 ft. 3 in. (2,530 mm)
- K** 10 ft. 8 in. (3,250 mm)
- L** 16 ft. 11 in. (5,180 mm)
- M** 11 ft. 2 in. (3,410 mm)
- N** 4 ft. 1 in. (1,240 mm)
- O** 11.8 in. (300 mm)
- P** 1 ft. 11 in. (600 mm)
- Q** 7.1 in. (180 mm)
- R** 2.2 in. (55 mm)
- S** 8 ft. (2,460 mm)
- T** 4 ft. 8 in. (1,440 mm)
- U** 5 ft. 9 in. (1,740 mm)
- V** 5 ft. 9 in. (1,740 mm)
- W** 2 ft. 10 in. (870 mm)
- Y** 1 ft. 7 in. (483 mm)



Find more information on the ViO35-7 at YanmarCE.com.