



YANMAR

SV40

ULTRA-TIGHT TAIL MINI EXCAVATOR



The most advanced excavator we've ever made.

The Yanmar SV40 is one mini excavator not to be underestimated. With best in class power, digging force and lifting capacity, this machine is a game changer within the compact excavator segment. Available in cab and canopy models, the SV40 is one of the most rugged, flexible machines; built to work effectively in extremely tight spaces other bulkier excavators simply can't reach. Options for the SV40 include a second PTO function, 4 or 6-way blade and an additional counterweight, so the SV40 has everything for you to get the job done. Yanmar has also pioneered some of the industry's most innovative technology, including the world's first mini excavator, swing boom excavator, rubber tracked excavator and the first true zero tail swing excavator. With a rich history like that, you know you are getting a robust and dependable machine.

QUICK SPECS

Weight	Horsepower	Max Dig Depth
9,515 lbs	39 hp	11'10"

INNOVATIVE FEATURES



YANMAR's Patented Hydraulic Quick Coupler

The standard hydraulic quick coupler makes changing buckets fast and easy. With the exception of fitting and removing the safety lock pin, the entire operation is performed electronically while you're seated in the comfort of the cab. Less hassle. Less downtime. More productivity.



PTO2 Option

The SV40 comes with the option of a second PTO. For more versatility, add the second Auxiliary Circuit and have full flexibility of two sources of hydraulic flow for attachments such as rotating grapples, thumb/mulching combos and more.



A Cab With Everything At Your Fingertips

The SV40 comes standard with ECO Mode, Auto-Decel Mode and backfill blade lever-controlled with float position, 2-speed operation incorporated right into the operator's station. Plus, you get an innovative LCD monitor, showing key operating information and maintenance notification intervals. Cab comes installed with speakers and is pre-wired for radio.

Specifications

Model			SV40	
Type			Canopy	Cabin
Operating Weight	Rubber Track	lbs (kg)	9,206 (4,175)	9,515 (4,315)
	Steel Track	lbs (kg)	9,493 (4,305)	9,801 (4,445)
Engine	Type	-	Water-cooled 4-cylinder diesel	
	Model	-	YANMAR 4TNV88C-PBV1	
	Output	HP (kW)/rpm	39.0 / 2,400 (29.1 / 2,400)	
Performance	Max Digging Force, Bucket / Arm	lbs (kN)	7,209 (3,270) / 4,211 (1,910)	7,209 (3,270) / 4,211 (1,910)
	Traveling Speed, High / Low	MPH (km / h)	2.9 / 1.5 (4.6 / 2.4)	
	Swing Speed	RPM	10	
	Boom Swing Angle, (L / R)	degrees	43° / 65°	
Ground Contact Pressure	Rubber Track	PSI (kPa)	4.5 (31)	4.64 (33)
	Steel Track	PSI (kPa)	4.63 (31.9)	4.79 (33)
Hydraulic System	Pump Capacity	GPM (L / min)	11.2 + 11.2 + 9.7 + 2.8 (42.5 + 42.5 + 37 + 10.8)	
	Main Relief Set Pressure	PSI (MPa)	(P1,P2) 3553 (24.49) (P2) 3133 (21.6) (4) 566 (3.9)	
Blade Dimensions	Width x Height	ft-in (mm)	68" x 15.2" (1,740 x 385)	
Fuel tank capacity		Gals (L)	14.8 (55)	

Standard Equipment

- Blade
- Boom Swing
- Rubber Tracks
- Hydraulic Quick Coupler*
- 2-way Pattern Control
- Diverter Valve
- Cylinder Rod Guards (boom, arm, bucket, blade)
- ROPS / FOPS Cabin or Canopy
- Windshield Washer (cabin spec)
- Defroster (cabin spec)
- Joystick Pilot Controls
- Arm Rests (adjustable)
- Suspension and Reclining Seat
- Seat Belt
- Traveling Levers and Pedals
- Traveling Alarm
- Built-in Type Boom Light
- Exterior Canopy or Cabin Work Light
- Operation Manual

*Also available without Quick Coupler.

Please note that the standard equipment may vary from this list. Consult your Yanmar dealer for confirmation.

Hydraulic PTO

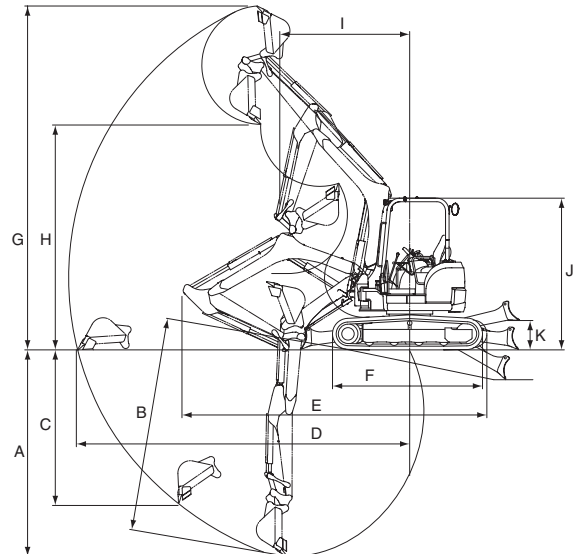
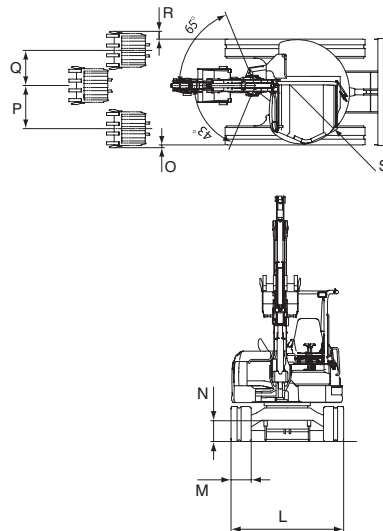
Model		SV40		
Specification	Output	PSI (MPa)	GPM (L / min)	
			2200RPM	1200RPM
Combined Flow, Double Actions		3553 (24.5)	PTO1 19.1 (72.2) PTO2 10.2 (38.8)	PTO1 11.4 (43.3)

Lifting Capacity

LIFT POINT HEIGHT in (mm)	(R) LIFT RADIUS in (mm)											
	RATED LIFT CAPACITY OVER END BLADE DOWN lbs (kg)				RATED LIFT CAPACITY OVER END BLADE UP lbs (kg)				RATED LIFT CAPACITY OVER SIDE BLADE DOWN lbs (kg)			
	MAX	157.5 (4,000)	118.1 (3,000)	78.7 (2,000)	MAX	157.5 (4,000)	118.1 (3,000)	78.7 (2,000)	MAX	157.5 (4,000)	118.1 (3,000)	78.7 (2,000)
157.5 (4,000)	1,719 (780)				1,697 (770)				1,763 (800)			
118.1 (3,000)	1,719 (780)	1,675 (760)			1,168 (530)	1,322 (600)			1,146 (520)	1,300 (590)		
78.7 (2,000)	1,763 (800)	1,851 (840)	2,160 (980)		970 (440)	1,256 (570)	2,072 (940)		970 (440)	1,278 (580)	2,116 (960)	
39.4 (1,000)	1,829 (830)	2,160 (980)	2,976 (1,350)		947 (430)	1,212 (550)	1,829 (830)		925 (420)	1,190 (540)	1,807 (820)	
Ground (0)	1,940 (880)	2,358 (1,070)	3,395 (1,540)	5,665 (2,570)	970 (440)	1,190 (540)	1,741 (790)	2,998 (1,360)	1,565 (710)	1,168 (530)	1,697 (770)	2,848 (1,290)
-39.4 (-1,000)	2,028 (920)	2,182 (990)	3,284 (1,490)	5,467 (2,480)	1,146 (520)	1,212 (550)	1,763 (800)	3,064 (1,390)	1,102 (500)	1,146 (520)	1,675 (760)	2,888 (1,310)
-78.7 (-2,000)	1,984 (900)		2,314 (1,050)	4,453 (2,020)	1,653 (750)		1,829 (830)	3,174 (1,440)	1,565 (710)		1,719 (780)	2,976 (1,350)

Dimensions - SV40

- A** 11'4" (3,440 mm)
- B** 11'10" (3,610 mm)
- C** 8'6" (2,610 mm)
- D** 18' (5,500 mm)
- E** 15'9.5" (4,810 mm)
- F** 7'3" (2,230 mm)
- G** 17'6" (5,350 mm)
- H** 11'11" (3,641 mm)
- I** 7'6" (2,280 mm)
- J** 8'2" (2,540 mm)
- K** 18" (460 mm)
- L** 5'8" (1,740 mm)
- M** 14" (350 mm)
- N** 13.5" (345 mm)
- O** 2.5" (65 mm)
- P** 2'1" (635 mm)
- Q** 23" (588 mm)
- R** .5" (14 mm)
- S** 3'2" (990 mm)



Find more information on the SV40 at YanmarCE.com.